

## MOUNTAIN HAWK

### PRO Series CREE High Power LED Single Row Light Bar



#### Key Features

- LED: High Power Cree LED. 6000K
- LIGHT OUTPUT: 900 Lumens Per LED
- INPUT: 9-32VDC
- POWER: 10W each LED
- LENS: Virtually unbreakable UV Resistant PC
- REFLECTOR: Precision Design
- BEAM PATTERN: Spot, Euro, Flood
- HOUSING: Aluminium Heat Sink
- BRACKET: Pendulum Adjustable
- CONNECTION: Deutsch DT Series 2 PIN
- IP RATING: IP 69K
- OPERATING TEMP: -40°C to 80°C
- PROTECTION: Thermal, Reverse Polarity
- LIFESPAN: 50,000 Hours

#### Description

##### PRO Series Driving Light

Second Generation PRO Series, producing 900lm per LED.

Aluminium extruded housing and machine flared heat sink or superior heat dissipation.

Unique Patent design mounting system which is transversely movable and pendulum adjustable.

Optional side mount brackets available.

Precision optical reflector available in flood, spot or euro beam patterns.

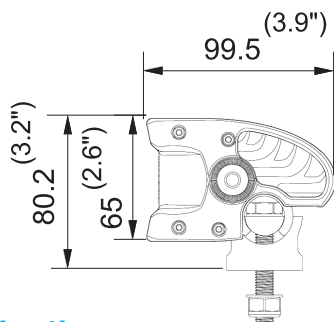
Deutsch waterproof connector.

Highest waterproof rating at IP 69K.

#### Applications

Heavy Duty Vehicles, Off Road, 4X4, 4WD, Truck, Mining

#### Dimensions



#### Specifications

CODE	LEDs	Watts	Lumens	Length	Width	Height
<a href="#">DLB-1R02-10XXP</a>	2	20	1800	4.8"	3.9"	3.2"
<a href="#">DLB-1R04-10XXP</a>	4	40	3600	7.9"	3.9"	3.2"
<a href="#">DLB-1R06-10XXP</a>	6	60	5400	11.1"	3.9"	3.2"
<a href="#">DLB-1R012-10XXP</a>	12	120	10800	20.5"	3.9"	3.2"
<a href="#">DLB-1R018-10XXP</a>	18	180	16200	30"	3.9"	3.2"
<a href="#">DLB-1R024-10XXP</a>	24	240	21600	40"	3.9"	3.2"



DLB-1R02-10XXP



DLB-1R06-10XXP



DLB-1R04-10XXP



DLB-1R012-10XXP



DLB-1R018-10XXP



DLB-1R024-10XXP